

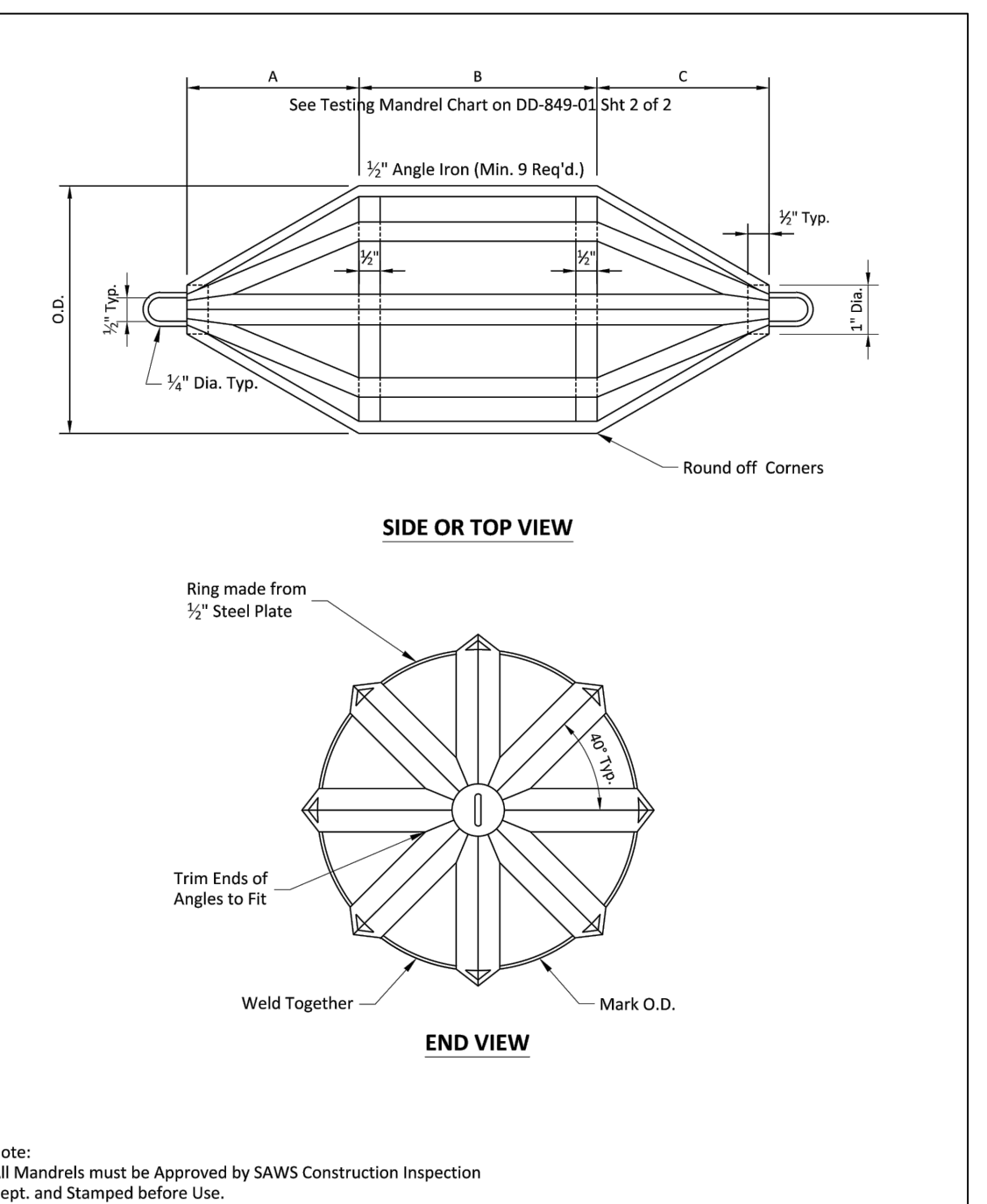
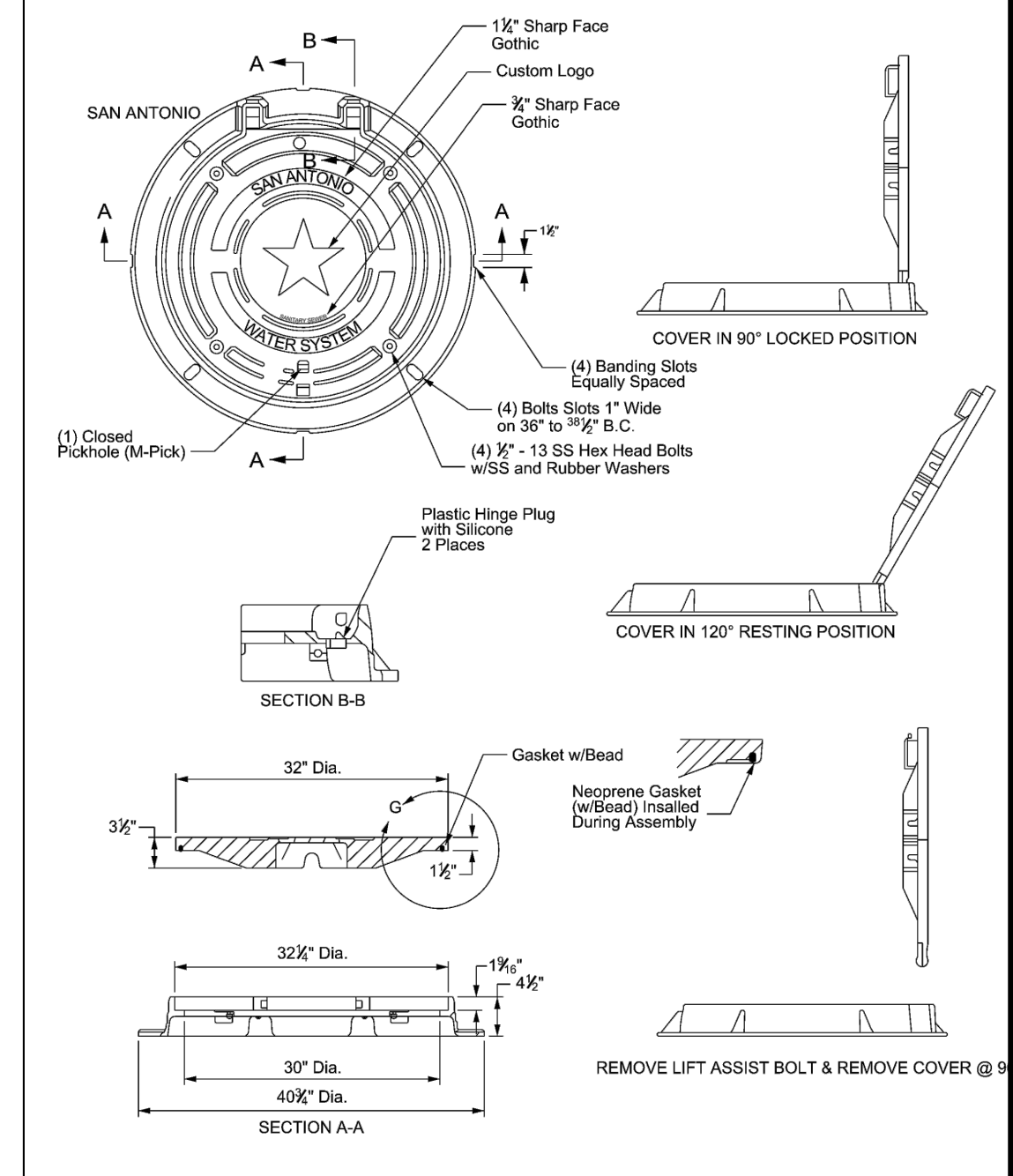
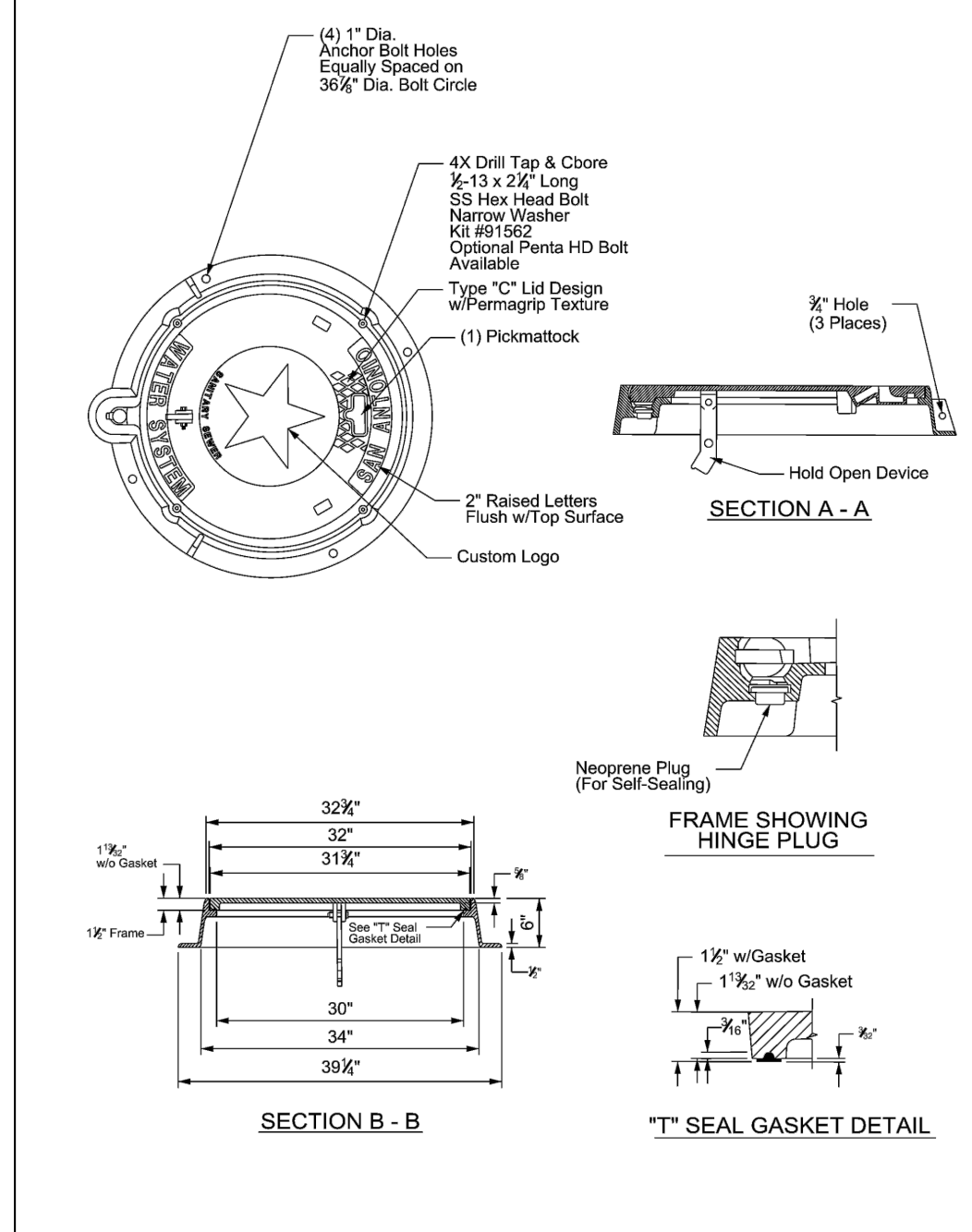
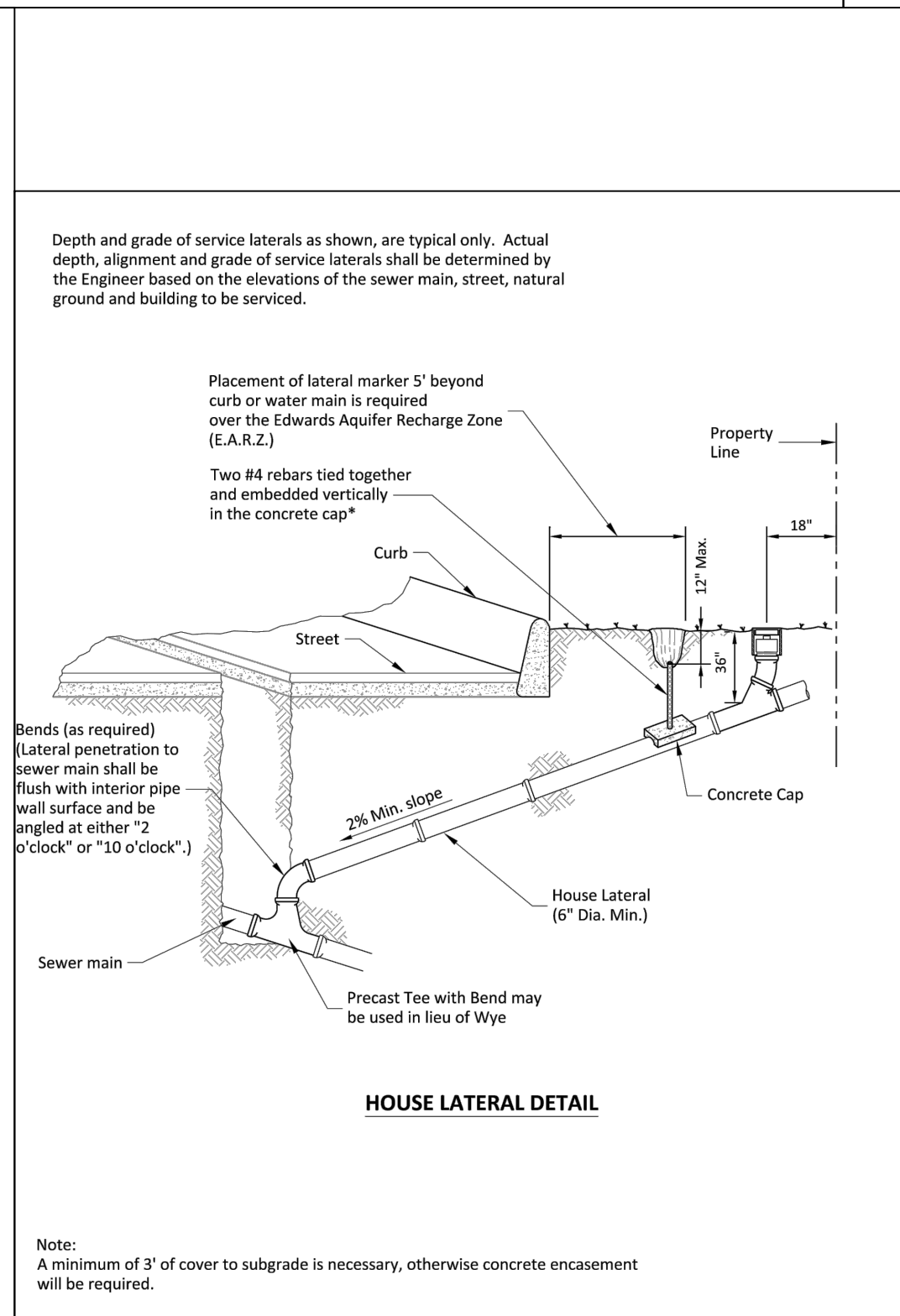
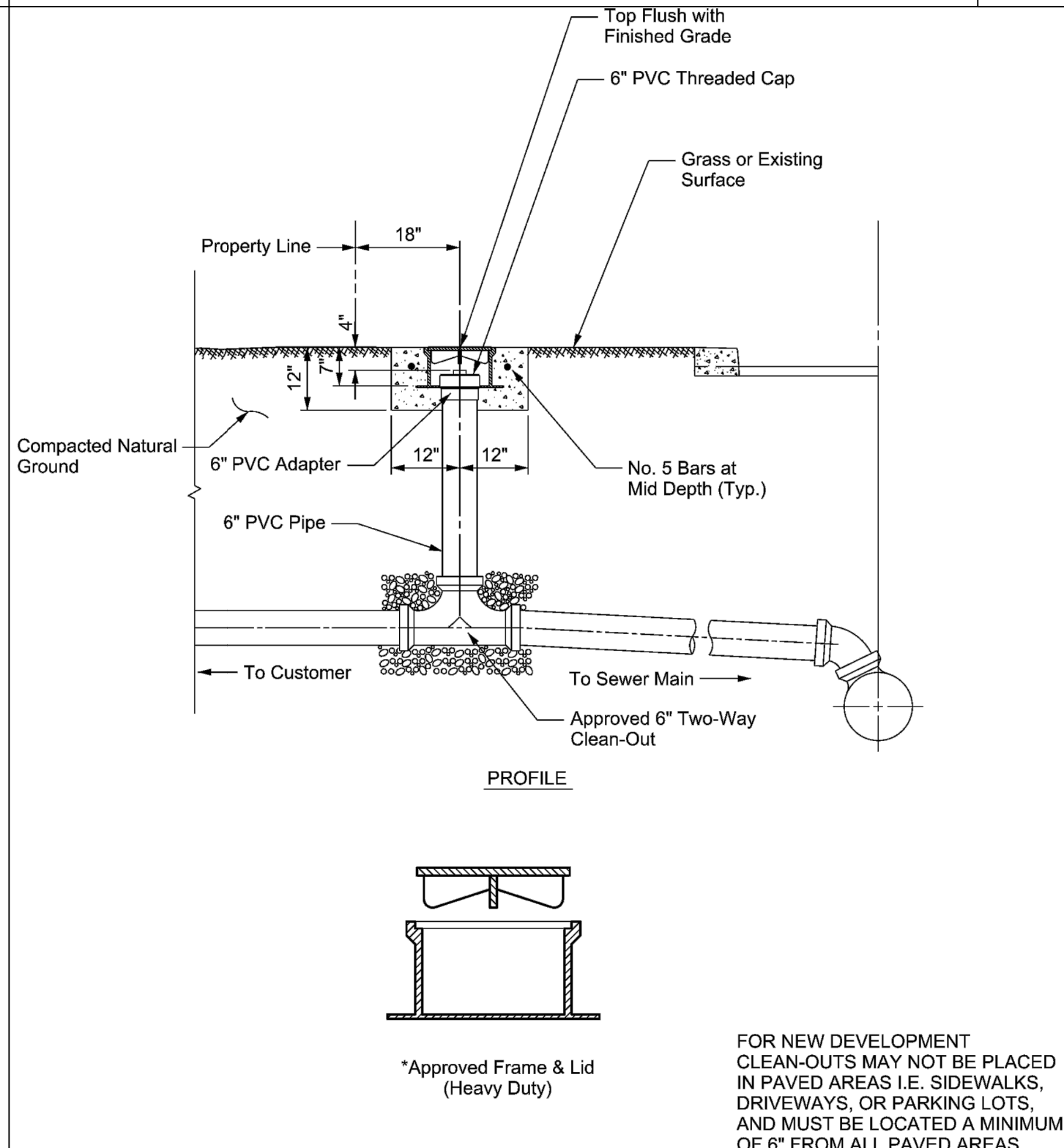
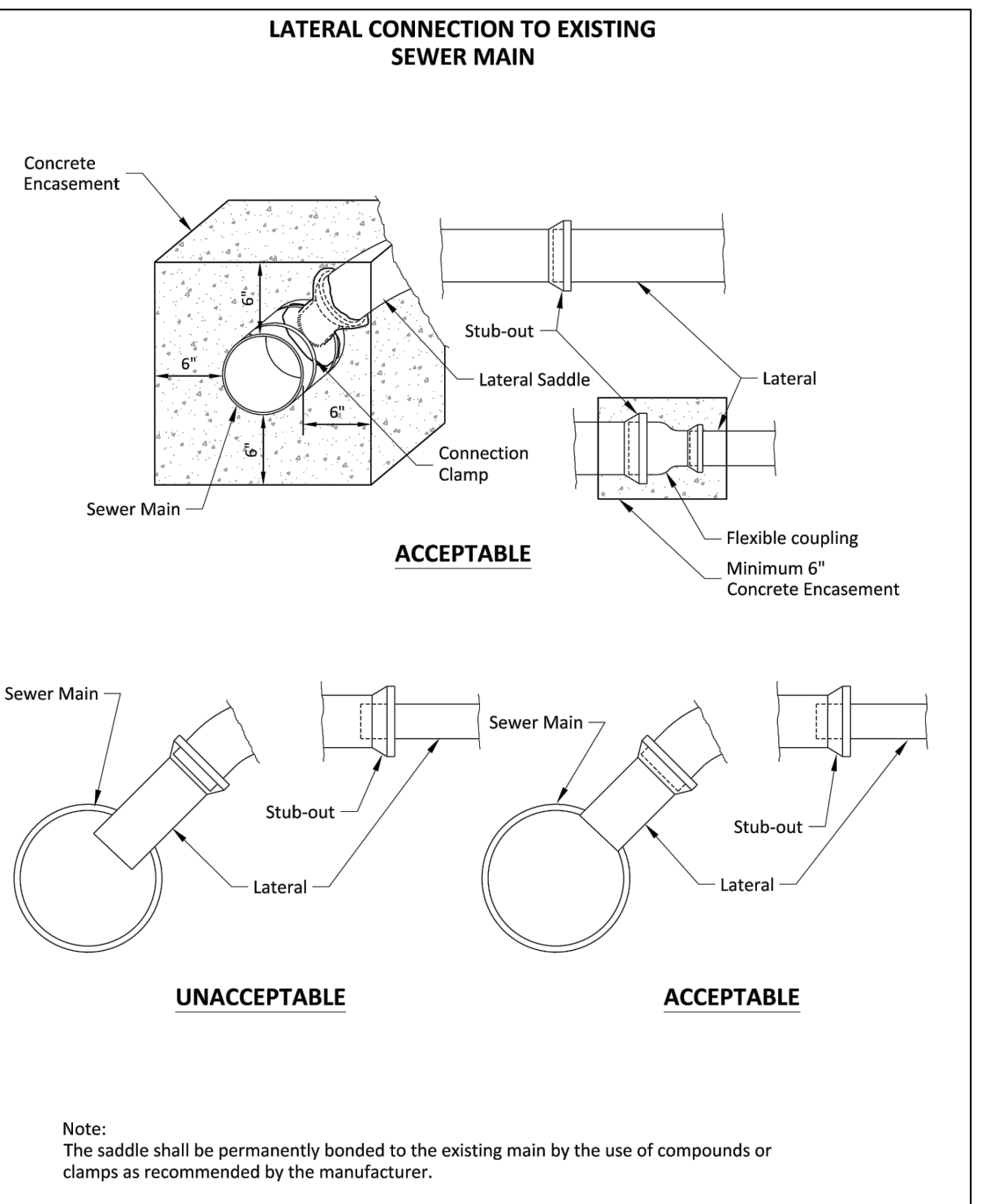
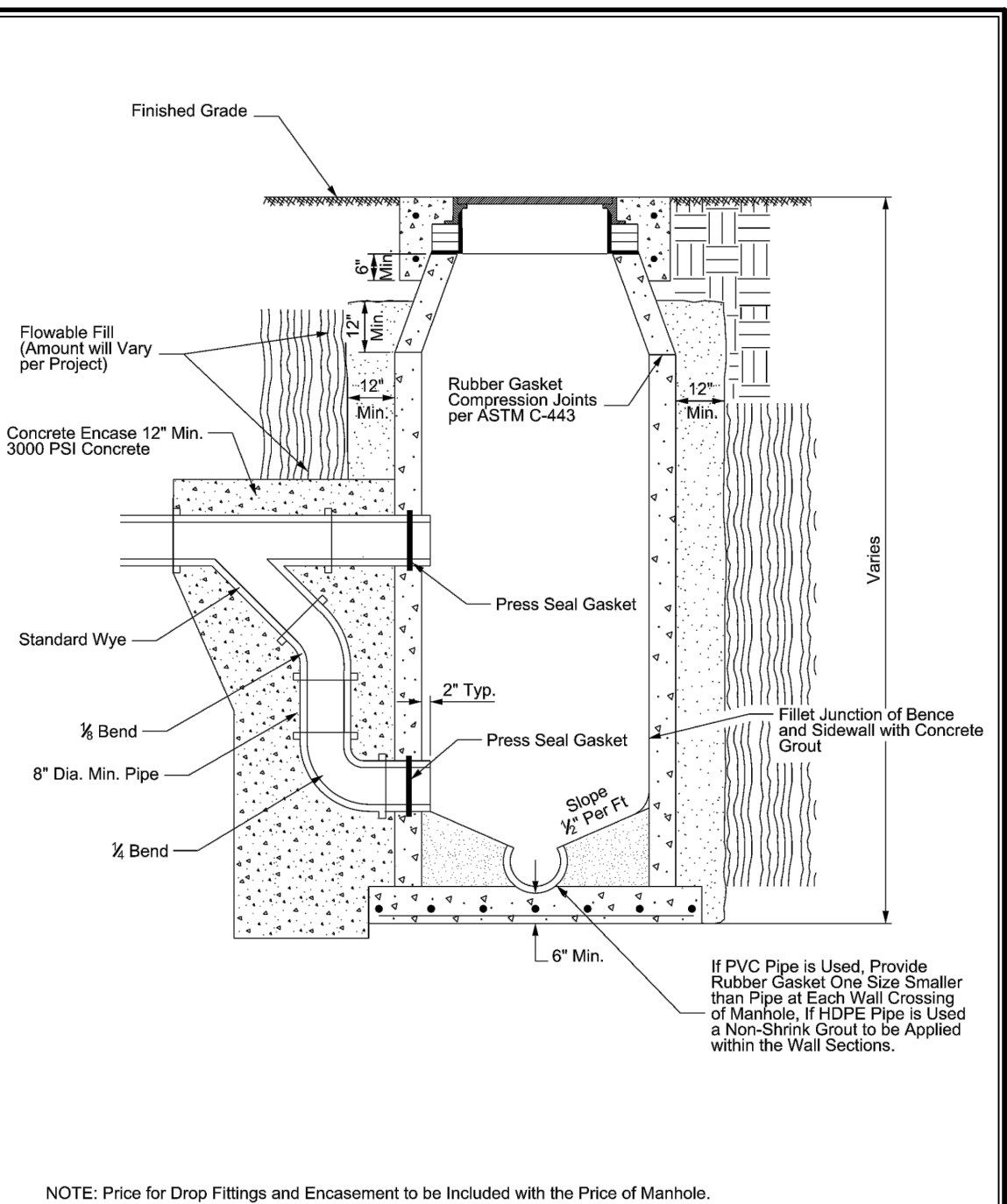
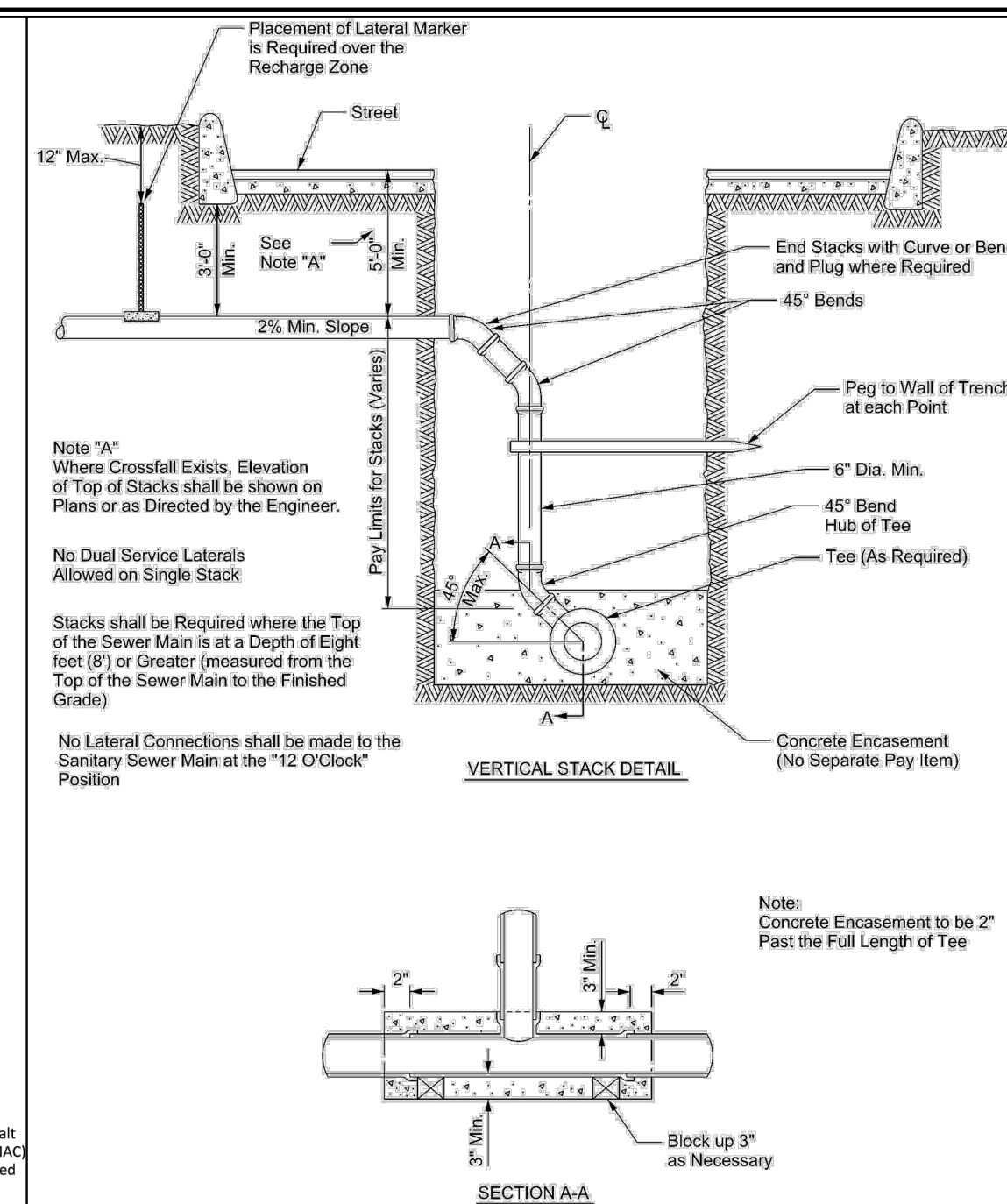
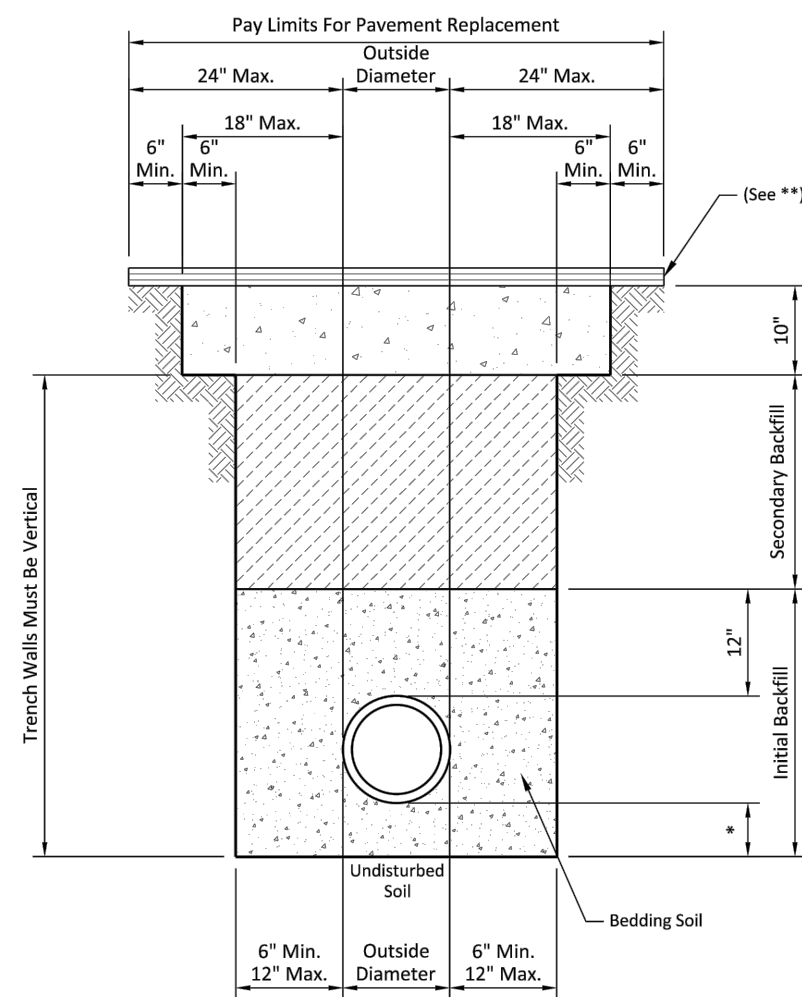
The Existing Material at the Bearing Level shall be Removed and Replaced to a Minimum Depth of 6-inches or 1/4" of the Outside Diameter of the Pipe, whichever is greater, with Bedding Material.

The Concrete Shall Extend to Edge of Saw Cut Pavement.

Manhole Ring Encasement is Required on all Manholes.

In Areas of over Excavation, Encasement shall extend from Trench Wall. Pay Limits shall not Exceed 12" Max. as shown on Detail. Additional Encasement shall be incidental.

\* Sewer Gravel 6" Min. or 1/4" O.D. of the Pipe whichever is greater.  
 \*\* Minimum 2" HMAC Type "D" for Trench Repair in Local/Residential Streets.  
 \*\*\* Minimum 3" HMAC Type "C" for Trench Repair in Collector/Arterial Streets.



**CHART**

SIZE	MANDREL O.D.		RING O.D.	
	A	B*	PVC (SDR -26)	PVC (SDR -26)
6"	4.0"	4.5"	5.50	4.79
8"	5.5"	6"	7.37	6.66
10"	7.0"	7.5"	9.21	8.50
12"	8.0"	9"	10.96	10.25
15"	10.0"	11"	13.42	12.71
18"	12.0"	13.5"	—	—
21"	14.0"	16"	—	—
24"	16.0"	18"	—	—
27"	18.0"	20"	—	—

\*Minimum Length

**Notes:**

PVC Pipes and Fittings 6" to 15" in Diameter shall Conform to ASTM D-2241

PVC Pipes and Fittings 18" to 27" in Diameter shall Conform to ASTM F-679

This information is provided as a reference. All deflection testing shall be done in accordance with TCEQ Chapter 217.

REVISIONS:  
NO. DATE DESCRIPTION

**GOMEZ-GARCIA & ASSOCIATES, INC.**  
 19230 STONE OAK PARKWAY, SUITE 302, SAN ANTONIO, TEXAS 78258  
 (210) 832-9608 - (210) 832-9615 FAX  
 TPBE FIRM REGISTRATION #5362

**12-7-2021**

SEAL OF THE STATE OF TEXAS  
 PROFESSIONAL ENGINEER  
 90145  
 GOMEZ-GARCIA, JUAN CARLOS

**HERON VALLEY II ENCLAVE**

**SANITARY SEWER DETAILS**

DESIGN \_\_\_\_\_  
 DRAWN \_\_\_\_\_  
 CHECKED \_\_\_\_\_  
 DATE \_\_\_\_\_  
 JOB NO. \_\_\_\_\_  
 SHEET \_\_\_\_\_  
 ? OF ?